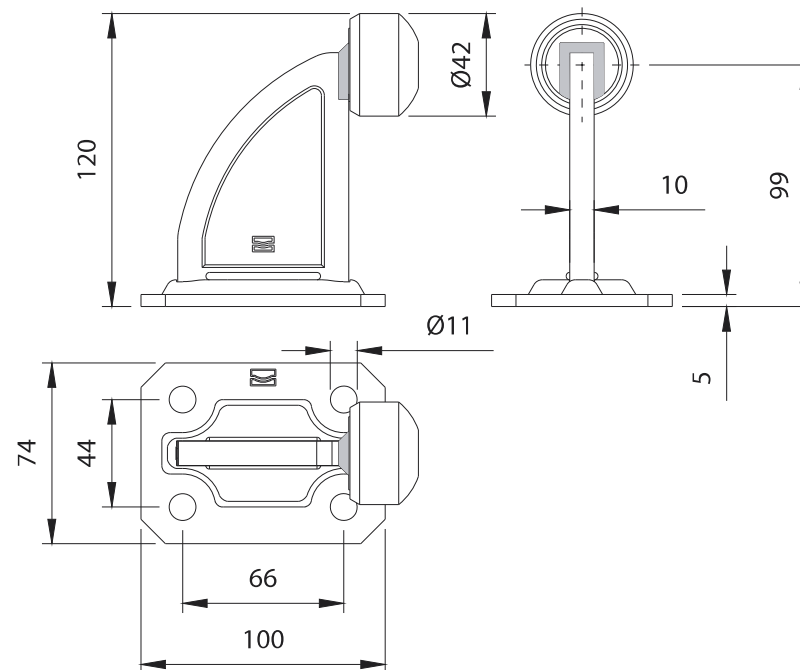
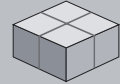



# Art. 202

# Art. 202A



TECHNICAL CHARACTERISTICS				
		202		
WEIGHT OF PART		0,72 Kg		
MAX. IMPACT AT 0.3 m/s		2000 Kg		
MAINTENANCE FREQUENCY				
PRIVATE HOME	BUSINESS	WAREHOUSE	CONDOMINIUM <20 UNITS	CONDOMINIUM > 20 UNITS
1 YEAR *	1 YEAR *	1 YEAR *	6 MONTHS *	6 MONTHS *
Check the Nylon cap. Check for any deformation on the striker.				
Check fixing.				
*The scheme refers to a normal workplace (not marine or particularly aggressive environments).				

Art.	Code		
202	10701810 001	10	7,20
202A	10502101	10	0,90

